

Online record distribution

OUF

Online Update Fetch

10-11-2005

Martin van Muyen

CBS log-files

- Logs each cataloguing action
 - Timestamp
 - Library
 - Level: bibliographic – local – copy
 - Status: insert – update – delete – out-of-use
 - ID-number (PPN)
 - ID-number and occurrence of copy (EPN)
 - List of libraries using a title
 - Old and new material type / bibliographic status; old and new selection-key
 - Priority: high: online update; low: offline update

Log-file characteristics

- **Cataloguing actions**
 - One action for the librarian
 - Multiple actions in log-file
- **Examples**
 - Update of title + change in existing copy + new copy:
 - One action for cataloguer
 - 3 records in log-file
 - Creation of new title + one new copy:
 - 2 records in log-file

CBS export characteristics

- **Full export**
 - New / updated titles: log-record + full title
 - New / updated / deleted copies: log-record + full title + all linked copies
 - Record format: any CBS supported format: **Unimarc, MAB2**
 - Deleted titles: log-record with PPN and delete-status
- **Full distribution**
 - Updated authority records
 - Deleted titles and authority records – **could be ignored**
 - Title of free electronic publications

OUF – Online Update Fetch

➤ Purpose

- Synchronization central system – local systems
- Polling of CBS log-files

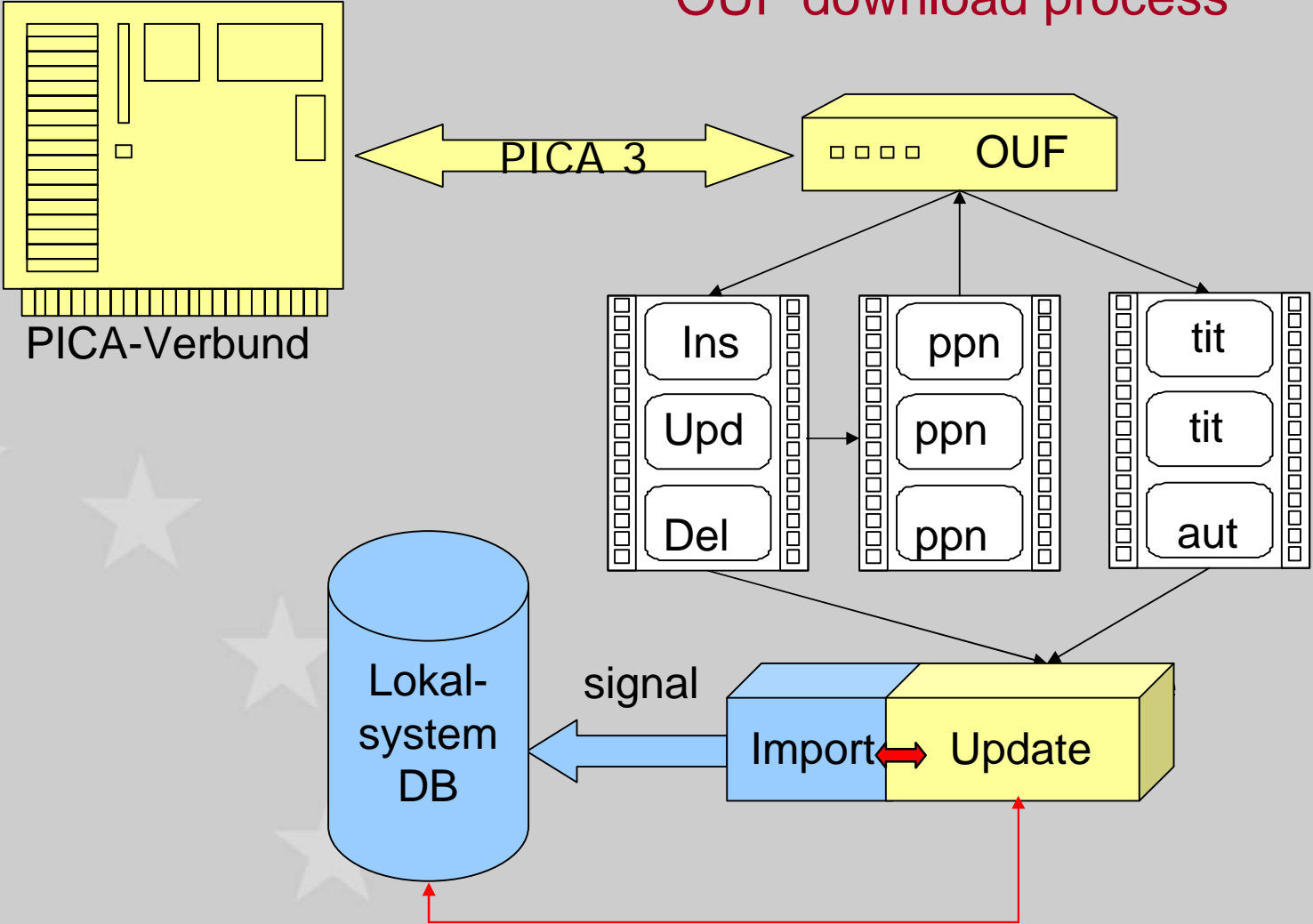
➤ Technical aspects

- ANSI-C software + shell-scripts
- Unix and Linux platforms
- TCP/IP communication

OUF characteristics

- **Log-files polling**
 - Are there new / updated / deleted records for <my library> since <timestamp>
 - Frequency: up to once per second
- **Polling result**
 - List with PPN's with material type, EPN etc.
- **Record fetch**
 - Fetch PPN's
 - Each fetched PPN has a list with relevant record-links
- **Linked record fetch**
 - OUF parameter controls which links to download
 - OUF launches fetches for linked records
 - Each fetched PPN has a list with relevant record-links

OUF download process



Local import recommendations

- **Buffer log-records:**
 - Wait for log-record with new PPN
 - Then process last downloaded record with previous PPN
 - Ignore previous log-records with same PPN
- **Required local “intelligence”**
 - Check on “floating” authority records
 - Check on “not needed” titles – out-of-use status
 - Check on provided updated authority records
- **Step-by-step introduction**
 - Use of FTP after migration to CBS
 - Switch to OUF per library



Questions ?

Discussion!